

# RADIANT PLUS™

Gas Inserts

**Avalon**  
FIREPLACES, STOVES & INSERTS

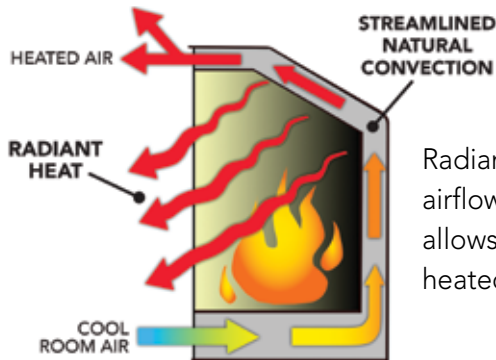


Reliable Performance.  
Reasonably Priced.

# RADIANT PLUS™ Gas Inserts

## RELIABLE PERFORMANCE

The Radiant Plus™ standing pilot gas inserts feature a quick, easy start-up and require NO POWER to run or operate, making them reliable heat sources for any home, even during power outages! These inserts are excellent heaters and can provide warmth to living spaces as little as 500 square feet, all the way up to 1,250 square feet (small model) or 1,650 square feet (large model), without the need for a fan. With flame turndown rates of 52% (small model) and 49% (large model), the Radiant Plus™ inserts can be used all year-round as they allow you to control the heat level to exactly how you'd like, while still showcasing a beautiful, glowing fire.



Radiant heat combined with streamlined airflow around the convection chamber allows for the maximum transfer of heated air into your home.



The Dancing-Fyre™ burner and Classic Log Set are incredibly realistic and mimic an actual wood burning fire, right down to the flame pattern and highly detailed logs and ember bed.



The Radiant Plus™ Remote is easy-to-use and features three convenient operation modes.

- Manual On/Off
- Thermostat Control
- AM and PM Programmable Temperature Control

## REASONABLY PRICED

With a Radiant Plus™ insert, you get MORE FOR LESS.

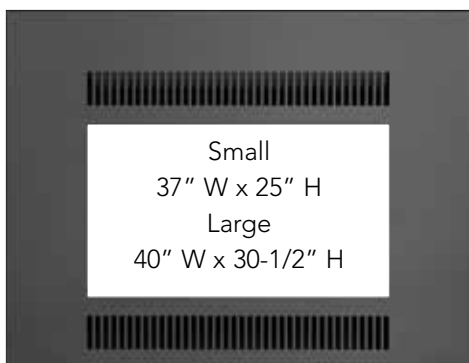
Both Radiant Plus™ models offer more standard features than any other value-priced inserts available in their class. No other inserts can compare to the heavy duty 16 and 18 gauge steel, high quality construction, massive viewing areas and the impressive heating capabilities of the Radiant Plus™ – not to mention their incredibly realistic display of fire.

## FACE OPTIONS

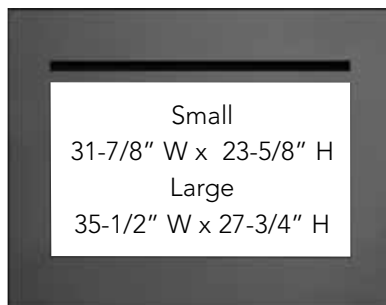
All faces feature a nearly invisible ANSI compliant safety screen.

One-Piece Surround Panels are available for all three faces.

- Radiant Plus Small Panels: Small 38" W x 25" H Large 40" W x 28-1/2" H
- Radiant Plus Large Panels: Small 42" W X 30-1/2" H Large 44" W X 34" H
- Custom Fit Panels are also available through your Avalon® retailer.



Universal Face & Panel



Times Square™



Designer™

## ADDITIONAL OPTIONS

- Ceramic Brick Fireback adds a more realistic fireplace look to the firebox.
- Simple 75 CFM "Set It and Forget It" Fan; automatically turns on and off to heat your room at your preferred speed and thermostat setting.
- Insert Wiring Kit allows you to hard-wire the optional fan within the fireplace.

COVER - Large Radiant Plus shown with Designer Face

*Small Radiant Plus shown with  
Times Square Face and  
Optional Ceramic Brick Fireback*



SPECIFICATIONS	Small Radiant Plus	Large Radiant Plus
Heating Capacity*	400 to 1,250 Sq. Ft.	500 to 1,650 Sq. Ft.
Maximum BTU Input	25,000 (NG) & (LP)	33,000 (NG), 30,000 (LP)
Minimum BTU Input	12,000 (NG), 13,000 (LP)	17,000 (NG), 15,500 (LP)
Steady State Efficiency (High)**	Up to 84.05% (NG), 86.09% (LP)	Up to 86.16% (NG), 87.58% (LP)
Canadian P4 Efficiency (FE)	73.93% (NG), 76.03% (LP)	75.53% (NG), 77.37% (LP)
AFUE Efficiency	74.6% (NG), 76.80% (LP)	76.5% (NG), 77.9% (LP)
Glass Area	24-1/4" W x 12-3/4" H	27-3/4" W x 16-7/8" H
Venting	Direct Vent, 3" Intake, 3" Exhaust	Direct Vent, 3" Intake, 3" Exhaust
Weight	80 lbs.	96 lbs.

\* Heating Capacity will vary with floor plan, insulation and outside temperature. \*\* Results may vary depending on vent configuration.  
Warranty - Limited Seven Year. Tested to ANSI Z21.88-2014 and CSA 2.33-2014

## SIMPLE STEPS TO A NEW FIREPLACE INSERT

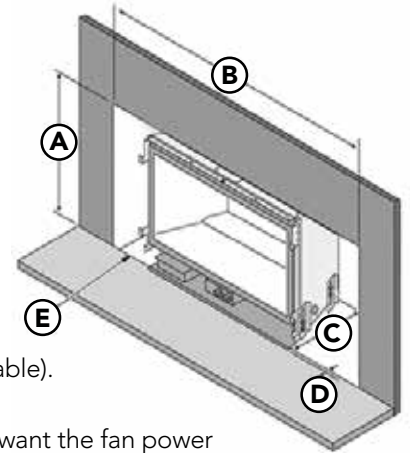
- 1 The first step is determining whether you have a zero clearance (metal) or masonry fireplace, and which insert models will fit into your fireplace. Your Avalon® Design Center Professional can provide you with help, if needed. They will also provide you with your new air intake and exhaust system. It is important that this installation is done by a qualified hearth professional.
- 2 Determine which insert model is best for your home based on fireplace size and your heating requirements.

## MINIMUM FIREPLACE REQUIREMENTS

	Small Radiant™ Plus	Large Radiant™ Plus	My Fireplace Measurements
A - Height (Front)	19-3/4" (502mm)	23-3/4" (604mm)	
B - Width (Front)	27" (686mm)	31" (787mm)	
C - Depth	15" (381mm)	15" (381mm)	
D - Hearth Depth	0"	0"	

E - The gas line should be installed prior to installing the heater.

- 3 Choose your preferred style of insert panel. (Custom fit 3 and 4 sided panels are also available).
- 4 Select a face design and you are ready to enjoy your new insert by Avalon®. If you do not want the fan power cord running across your hearth, consider using the optional Fan Wiring Kit which allows you to hard wire the fan's electrical connection within your existing fireplace.

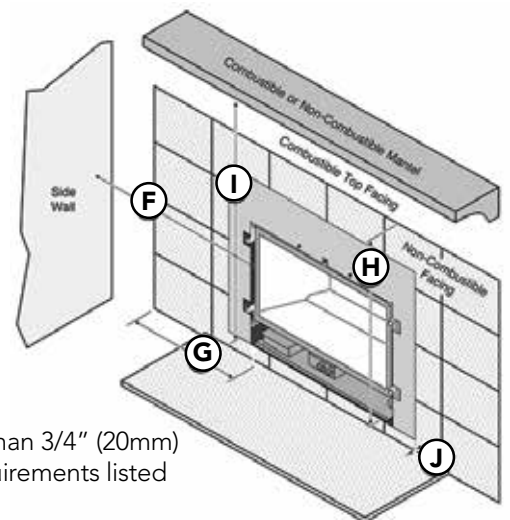


## MINIMUM CLEARANCES TO COMBUSTIBLES

	Small Radiant™ Plus	Large Radiant™ Plus
F - Sidewall To Insert	5" (127mm)	5" (127mm)
G - Side To Facing	5" (127mm)	5" (127mm)
H - Top Facing*	33" (838mm)	38" (966mm)
I - 12" Mantle**	34" (864mm)	36-1/2" (928mm)
4" Mantle	33" (838mm)	
J - Hearth Extension	0" (0mm)	0"

\* The non-combustible top facing must extend 38" (966mm) above the base of the insert or to the bottom of the mantel (whichever is less).

\*\* The combustible area above the non-combustible facing must not protrude more than 3/4" (20mm) from the facing. If it does, it is considered a mantel and must meet the mantel requirements listed in this manual.



Your Authorized Avalon® Dealer Is Located At:

**Avalon**  
FIREPLACES, STOVES & INSERTS

Avalon® reserves the right to alter or improve its products at any time without notification. Radiant Plus and all other trademarks belong to Travis Industries. Photos and illustrations are for descriptive purpose only. For installation specifications refer to the Owner's Manual found on the Avalon® website.  
©2016/02 • Printed in U.S.A. • 98800754